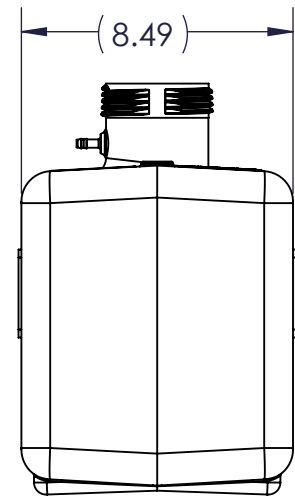
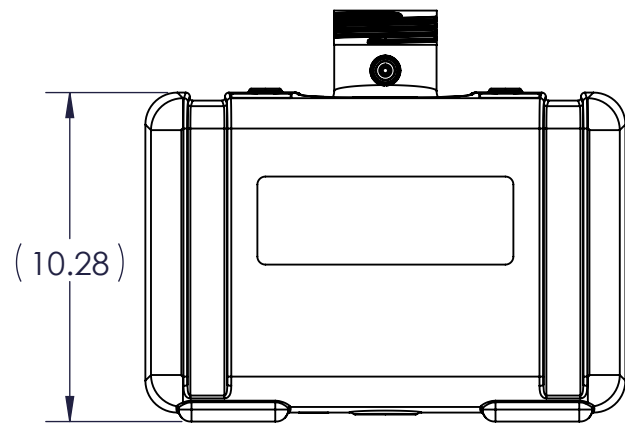
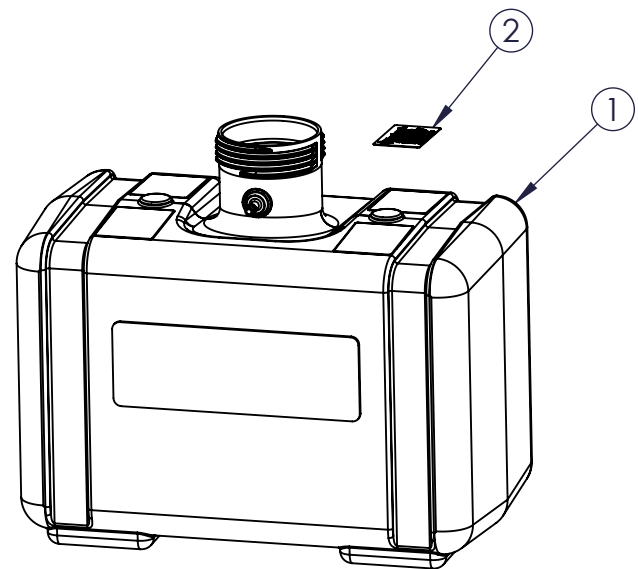
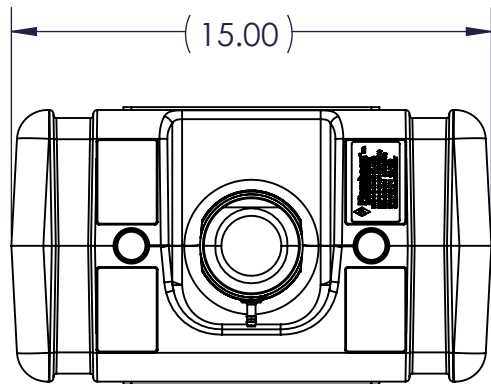



REVISIONS					
REV	ECR	DESCRIPTION	DATE	BY	APR
A	NPN	RELEASED FOR PRODUCTION	10-22-14	ANA	SAB



ITEM	FPN	DWG #	DESCRIPTION	QTY
2	477026x	477026	CARB/EPA FUEL TANK LABEL	1
1	070361B-FL	070361B-FL	5 GALLON TANK, CARB, 1/4" FITTING, NATURAL	1

CUSTOMER SIGN-OFF	
COMPANY:	
SIGNATURE:	
PRINTED NAME:	
DATE:	

<p>PROPRIETARY AND CONFIDENTIAL THE INFORMATION CONTAINED IN THIS DRAWING IS THE SOLE PROPERTY OF FLAMBEAU, INC. ANY REPRODUCTION IN PART OR AS A WHOLE WITHOUT THE WRITTEN PERMISSION OF FLAMBEAU, INC. IS PROHIBITED.</p> <p>DIMENSIONS ARE IN INCHES. THE FOLLOWING TOLERANCES APPLY UNLESS OTHERWISE SPECIFIED ANGULAR: ±3° TWO PLACE x.xx ±.125" THREE PLACE x.xxx ±.060" DIMENSIONS IN PARENTHESIS () ARE FOR REFERENCE ONLY.</p>	SHT	 FLAMBEAU, INC.	
	1	SCALE: 1:6	BFI NO: NA MOLD NO: 4333
	OF	DESCRIPTION:	
1		5 GALLON CARB/EPA FUEL TANK ASSEMBLY	
		CUSTOMER: US PLASTICS	DWG NO: 071405